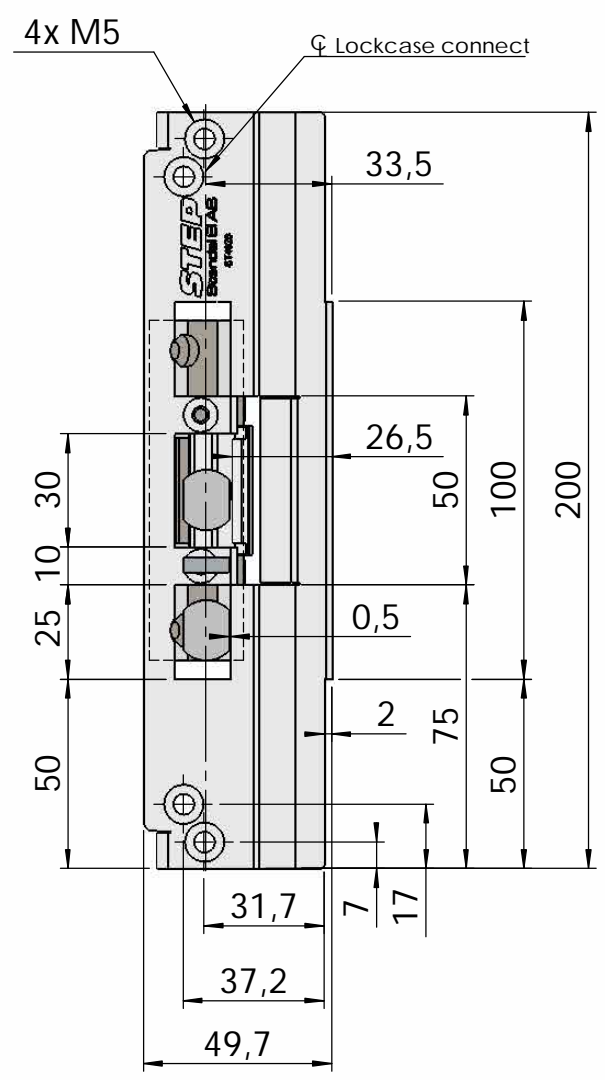
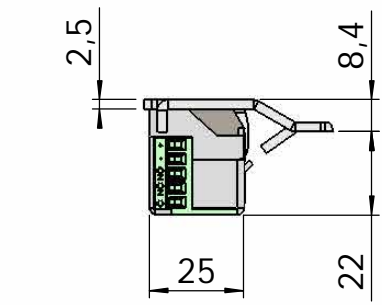
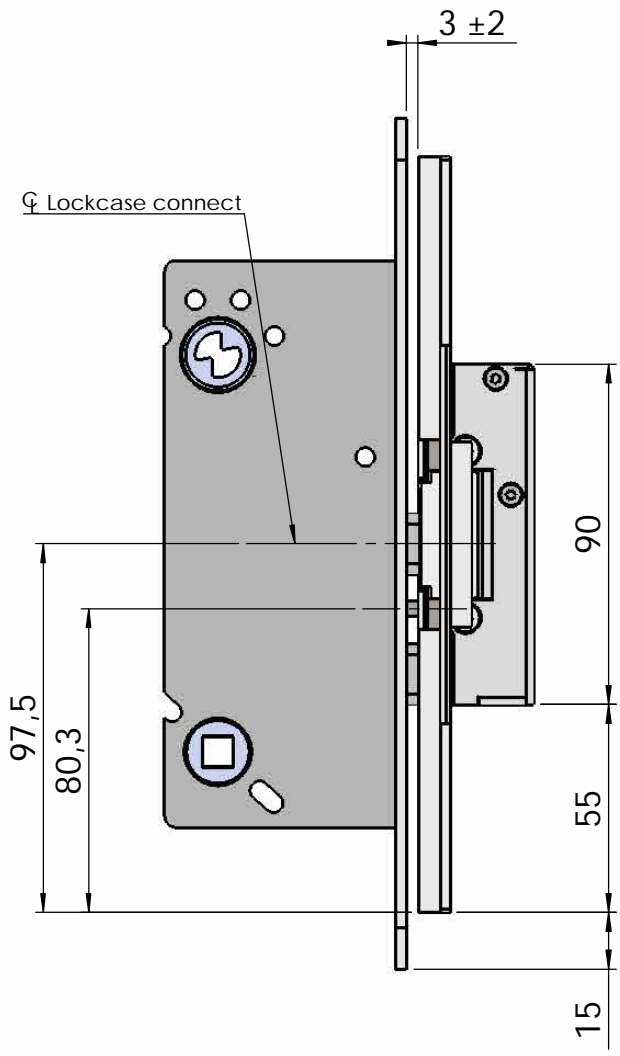




# Montering för Connect



This document shall not be copied without owners written allowance and its content shall not be exposed for third part nor be used for unauthorized purpose.

A Owner  
**Stendals EI AB**

Title/Description  
STEP 40 med bockad stolpe plös 26,5mm  
Montering för Connect

Drawing no. **ST4026**

Scale  
**1:2**

